

# 1000



\* ACTUAL SIZE



# JETCARD 100

THE NETWORK INTERFACE AND PROTOCOL  
CONVERTER FOR EASY AND ECONOMICAL  
LOCAL INSTANT CARD PRINTING

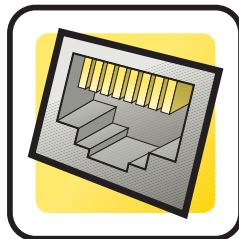
## INTRODUCING THE JETCARD100:

**C**ustomers in the casino, leisure and healthcare markets already recognize the benefits of using printers to personalize loyalty cards, patient cards and other membership cards. While high-speed printers are ideal for high volume and central issuance card personalization applications, there is an increasing demand for decentralized, high-quality, low-volume card printers. Issuing loyalty cards in a fast, unobtrusive, customer friendly manner makes for good business.

Normally, desktop card printers need to be connected to a networked PC, running a Windows™ driver. This is costly from an equipment and maintenance standpoint. PCs require significant area and can be unreliable.

The JetCard network interface and protocol converter was specifically engineered to address all these issues by completely eliminating the need for the PC. It connects via USB or serial port to many popular card printers on one side, directly to your Ethernet network on the other. The other PC function - the Windows™ print driver - is replaced with the JetCard's processor running a Linux-based print driver. All JetCard print driver functions can be accessed via any HTML-enabled device connected via the Ethernet network to the JetCard. The tiny footprint of the JetCard means devices can be discretely positioned anywhere they're needed - from the admissions desk to the casino floor.

Simplicity, compactness and flexibility. Cost savings and streamlined operations. The combination of the JetCard and your card printer makes local distributed card issuance easier and more practical than ever.



## A VARIETY OF FEATURES:

- Enables card printers to accept unformatted text and magnetic stripe encoding data
- Allows card printers to hook-up to Ethernet networks
- Enables firmware updates and back-up of operational parameters via a PC-based control panel or TCP/IP access
- Has ability to format card personalization data
- Ethernet cable and software included

**TECHNICAL FEATURES**
**GENERAL SPECIFICATIONS:**

Operational modes	TCP/IP In (Ethernet), Serial Out TCP/IP In Serial In, Serial Out Configuration Mode
Data formats	Graphic images: BMP Standard fonts: OCR regular, Dutch bold, Swiss regular & italic (custom fonts available) Barcodes: UPC-A, Code 39, CODABAR, Code 128, 2 of 5, EAN 13, EAN 8 Multiple card layouts Back-up and restore capabilities
Magnetic stripe encoding	ISO (tracks 1 – 3) Ballys Other proprietary formats possible (Please contact JetCard)
Network protocols supported	LPR/LPD (AS400 standard)

**INPUT / OUTPUT:**

10/100 BASE T Ethernet	
Ethernet port (one):	Input when using a PC to configure the unit Output to a PC to disclose present unit configuration Data input
USB ports (two):	Output to some card personalization equipment and other devices (as an alternative to a JetCard printer)

*Configuration mode uses a fixed IP address; operational mode uses a configurable IP address.*

**PRINTERS SUPPORTED:**

Javelin J310™ & J330™ single side printers (monochrome printing only)	
Javelin J420™ dual side printer (monochrome printing only)	
Javelin J205™ monochrome low volume printer	
Cognative Barcode Blaster™	
Zebra P205™, P210i™, P310i™, P320i™, P330i™, P420i™	
NBS Imagemaster™	

*Support for other card printer models may be possible or available.  
(Please contact your local Sales Agent for more information).*

**PHYSICAL DIMENSIONS:**

Robust metal case	Depth: 5.5" (140 mm)	Width: 3.8" (96 mm)	Height: 1.2" (30 mm)
	Weight: 1.0 lb (0.45 kg)		

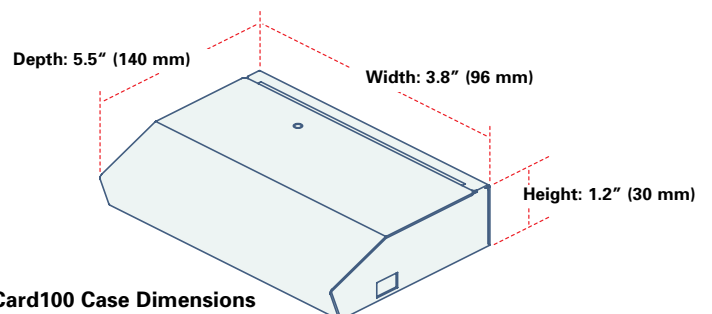
**ELECTRICAL:**

External power supply converted from AC to 9V 500 ma DC	110V (standard FCC-approved adapter included)
---	---

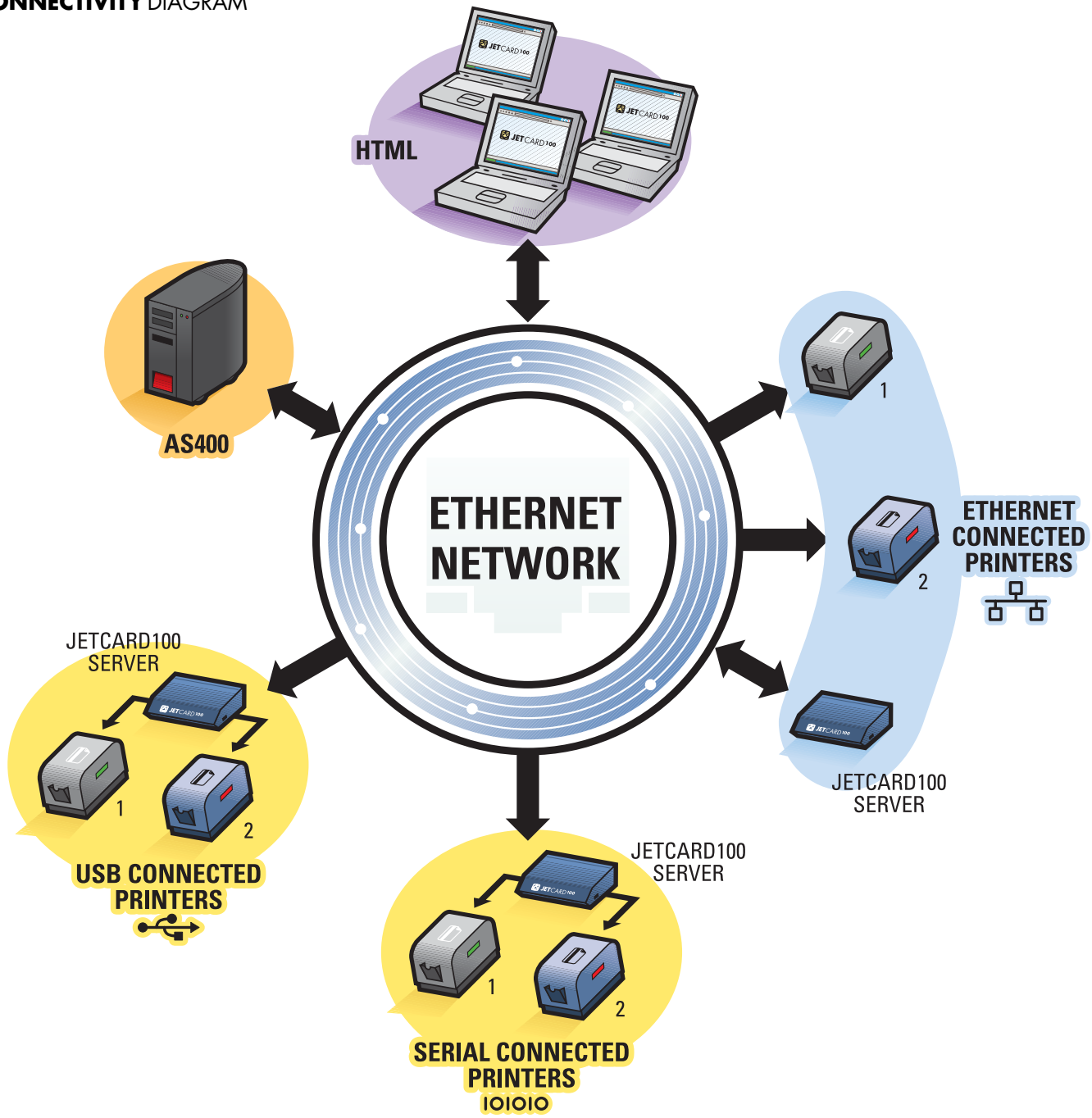
**ENVIRONMENTAL:**

Operating temperature:	15°C to 30°C
Operating humidity:	20% to 65% non-condensing
Storage temperature:	-5°C to 70°C
Storage humidity:	20% to 70% non-condensing
Ventilation:	Free air

*All specifications subject to change without notice.*


**JetCard100 Connection Points**

**JetCard100 Case Dimensions**

**CONNECTIVITY DIAGRAM**



™ All products and corporate names are trademarks or registered trademarks of other companies and are used to their owner's benefit, without intent to infringe.



**TECHNICAL SUPPORT**

**p:** 732.282.9002 ext.301    **e:** Support@AdvancedCardSystems.com    **w:** www.AdvancedCardSystems.com

For more information please contact **Advanced Card Systems and Solutions, Inc.** at:

1775 Route 34 South, Suite D-12 Farmingdale, New Jersey 07727

Tel: 732-282-9002    Tel: 866-318-3567    Fax: 732-282-9003

Email: [acssi@AdvancedCardSystems.com](mailto:acssi@AdvancedCardSystems.com)    Web: [www.AdvancedCardSystems.com](http://www.AdvancedCardSystems.com)

